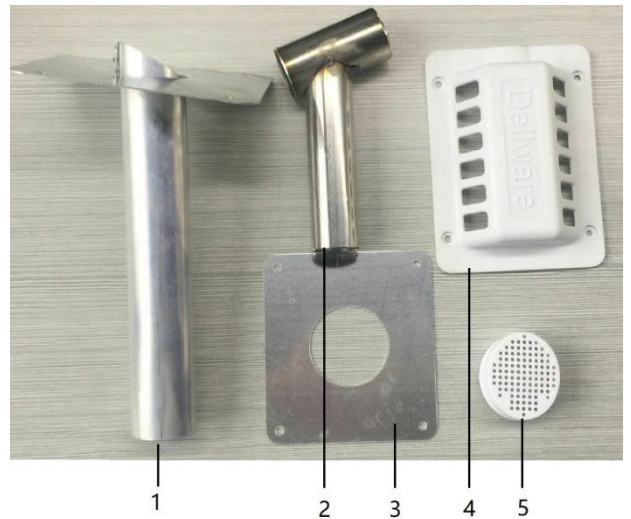
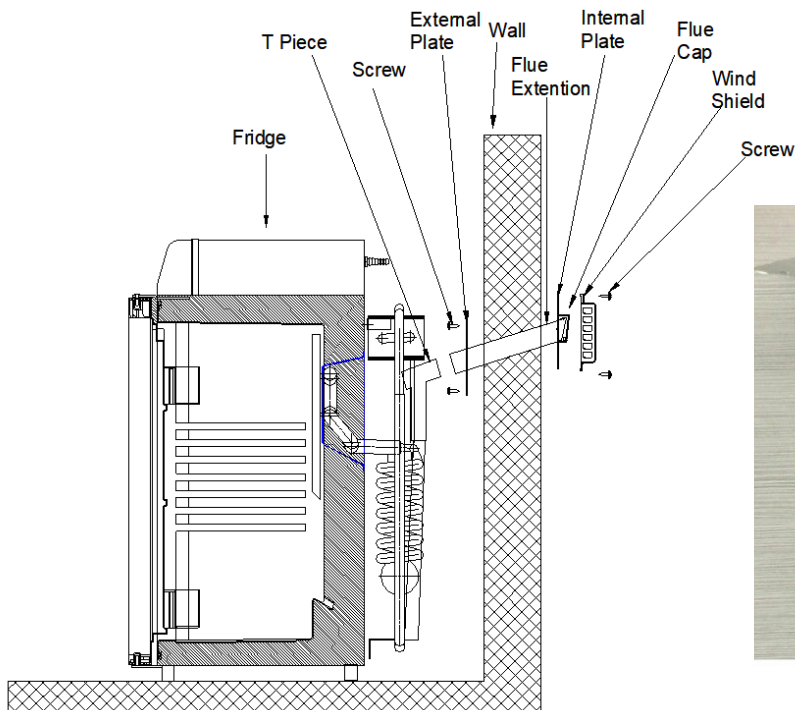


Flue Kit Installation Instruction



- (1) Flue extension (2) T- piece (3) External plate
(4) Wind shield (5) Flue cap

1. The refrigerator must stand on a level surface.
2. The distance between the refrigerator and wall should not be less than 100mm, there must be enough distance between the top and side of the refrigerator.
3. Air must be freely circulated around the cooling system.
4. If the grill is added around the refrigerator, the opening size should not be less than 200cm².
5. After the refrigerator is placed in a stable position, then fix the flue kit as shown.
6. The exhaust piping system must be installed as the instruction in order to vent the combustion products out completely. The flue gas is directly vented through the flue kit, if necessary, please use an aluminum flue pipe to vent the gas between the T-piece and flue extension. Kindly please note that the T-piece must be trended towards the wall.